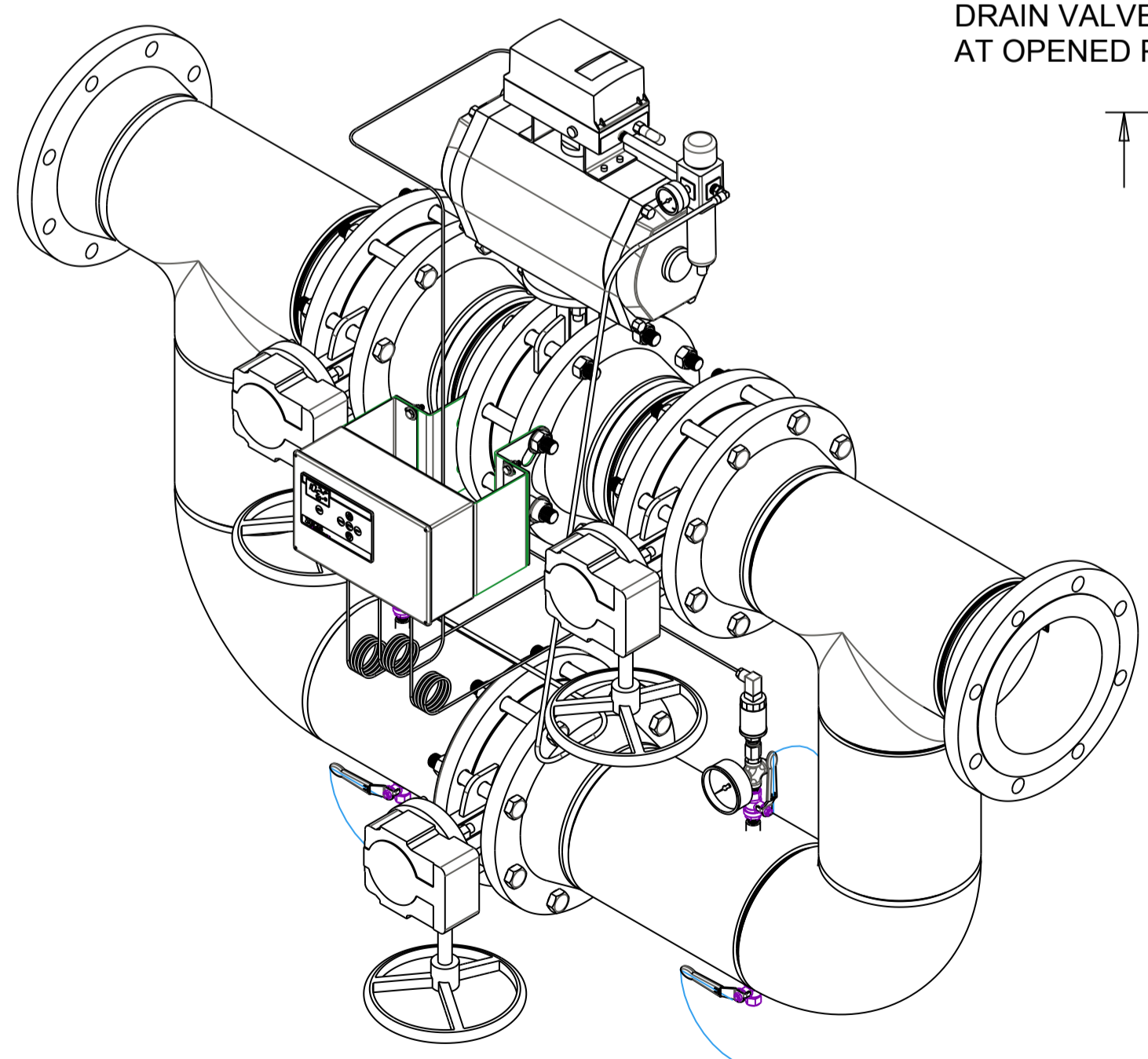
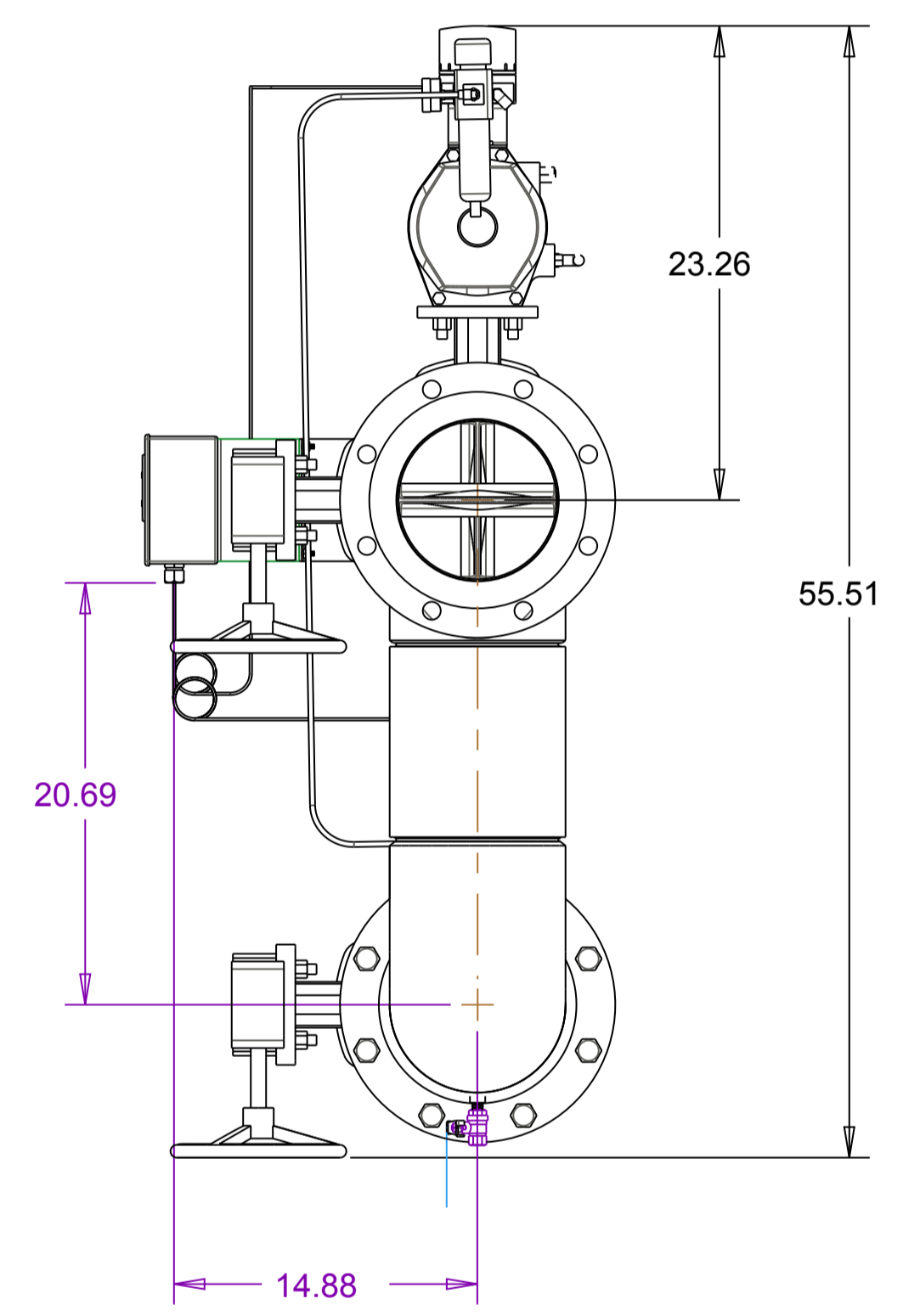
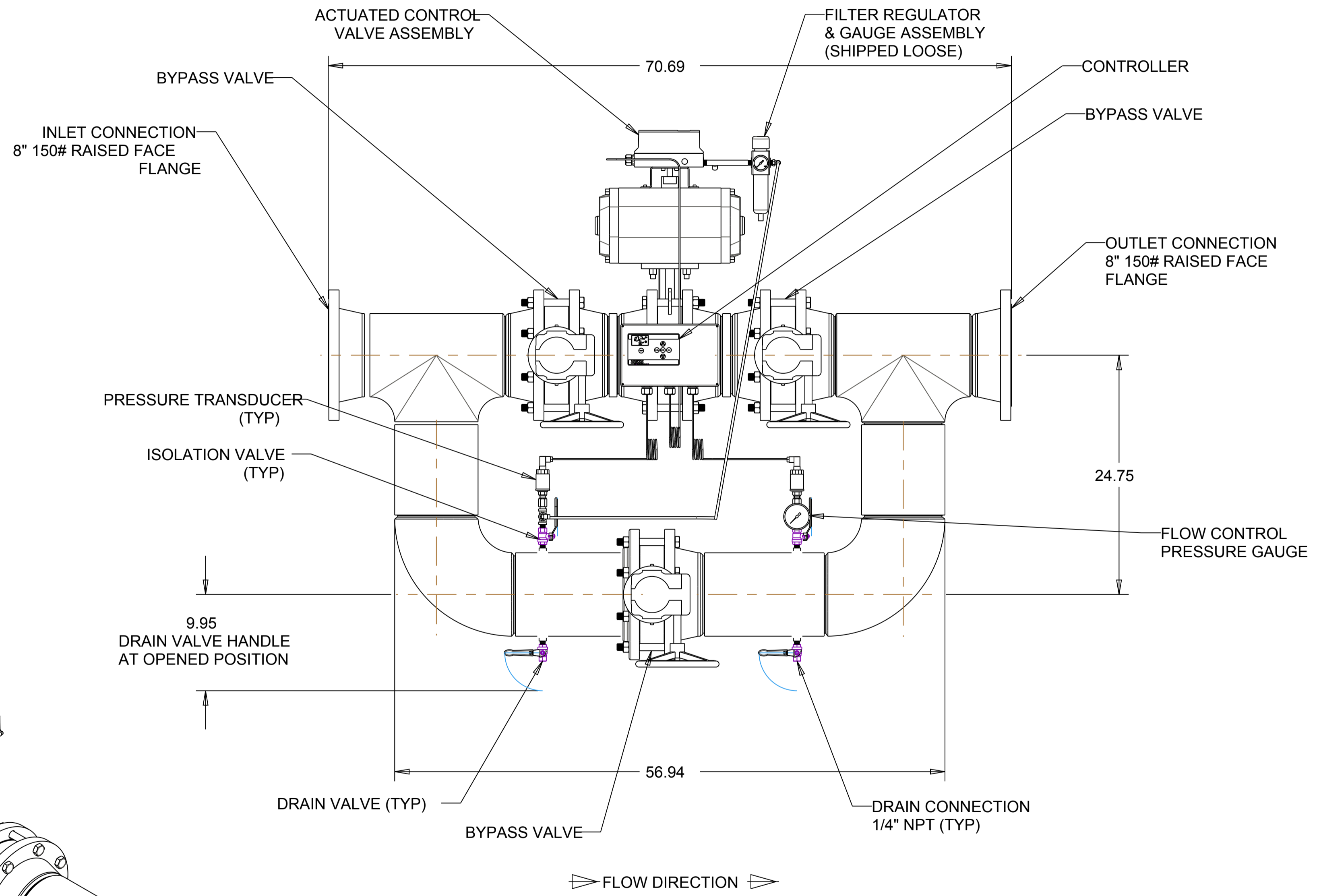
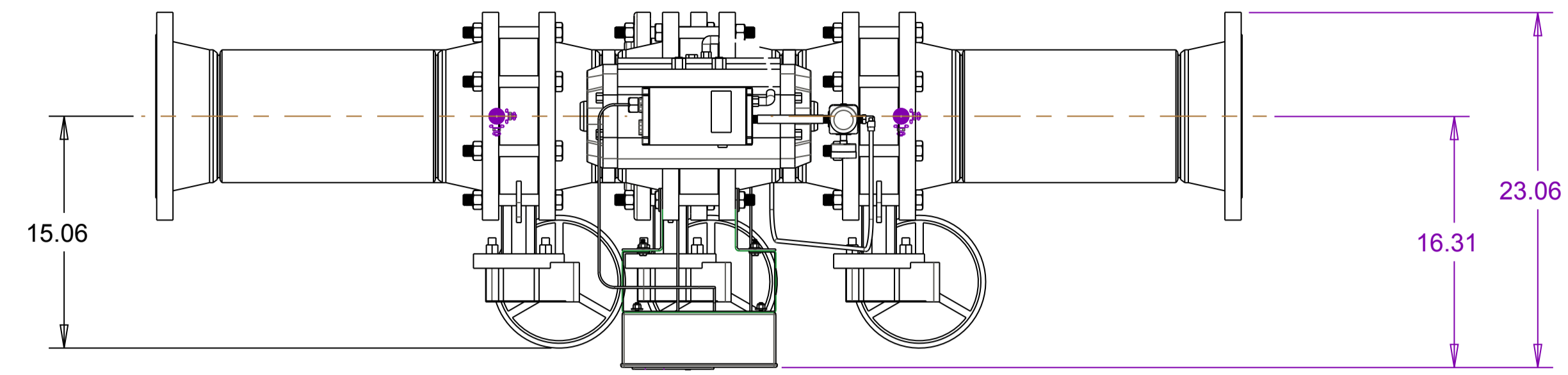


REVISIONS					
ZONE	REV	ECN	DESCRIPTION	DATE	APPD

\*NOTES:  
 1) ALL DIMENSIONS ARE IN INCHES  
 2) DIMENSIONAL TOLERANCE:  $\pm .25"$   
 3) MAXIMUM PRESSURE RATING: 200 PSI  
 4) MAXIMUM TEMPERATURE RATING: 150 °F.



THIS VIEW SHOWN FOR REFERENCE

WARNING: THE EXPORT OR REEXPORT OF THIS DRAWING OR A PRODUCT PRODUCED BY THIS DRAWING IS SUBJECT TO U.S. EXPORT ADMINISTRATION REGULATIONS AND OTHER APPLICABLE GOVERNMENT RESTRICTIONS OR REGULATIONS.

PROPRIETARY NOTICE  
 THIS DRAWING CONTAINS CONFIDENTIAL AND TRADE SECRET INFORMATION, IS THE PROPERTY OF ZEKS COMPRESSED AIR SOLUTIONS CO. AND IS GIVEN TO THE RECEIVER IN CONFIDENCE. THE RECEIVER BY RECEPTION AND RETENTION OF THE DRAWING ACCEPTS THE DRAWING IN CONFIDENCE AND AGREES THAT, EXCEPT AS AUTHORIZED IN WRITING BY ZEKS COMPRESSED AIR SOLUTIONS CO. IT WILL (1) NOT USE THE DRAWING OR ANY COPY THEREOF OR THE CONFIDENTIAL OR TRADE SECRET INFORMATION THEREIN; (2) NOT COPY THE DRAWING; (3) NOT DISCLOSE TO OTHERS EITHER THE DRAWING OR THE CONFIDENTIAL OR TRADE SECRET INFORMATION THEREIN; AND (4) UPON COMPLETION OF THE NEED TO RETAIN THE DRAWING, OR UPON DEMAND, RETURN THE DRAWING, ALL COPIES THEREOF, AND ALL MATERIAL COPIED THEREFROM.

DO NOT SCALE DRAWING  
 DRAWING CONFORMS TO ASME Y14.5M - 1994

CAD GENERATED DRAWING,  
 NO MANUAL REVISIONS ALLOWED

UNLESS OTHERWISE SPECIFIED:  
 - REMOVE ALL BURRS AND SHARP CORNERS  
 - WELD SYMBOLS TO BE IN ACCORDANCE WITH ANSI/AWS A2.4

COPYRIGHT © 2009  
 ZEKS COMPRESSED AIR SOLUTIONS  
 COMPANY ALL RIGHTS RESERVED

DRAWN	SAJ	DATE	11/02/09
CHECKED	HM	DATE	11/03/09
APPROVED		DATE	

**ZEKS** COMPRESSED AIR SOLUTIONS  
 1302 Goshen Parkway  
 West Chester, PA 19380

TITLE: **GENERAL ARRANGEMENT 80XPE000**

SIZE	A1	ESTIMATED WEIGHT (LBS UNLESS OTHERWISE SPECIFIED)	DWG NO.	510508	REV
SCALE:	0.13	UNIT:	XPANDAIR	SHEET	1 OF 1